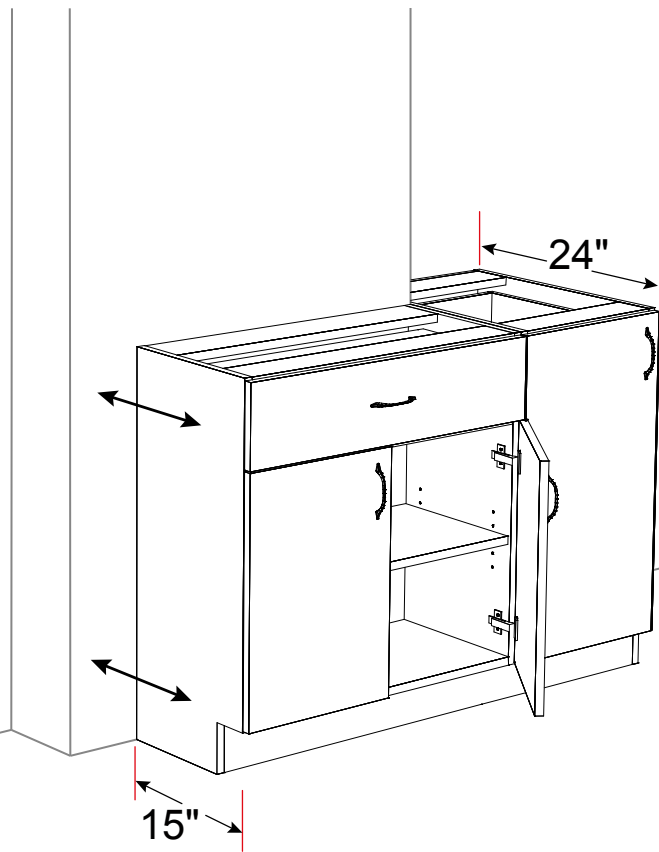


CUSTOM DEPTH/FINISHED ENDS

MillCraft
cabinet

www.millcraft.us

1 CUSTOM DEPTH/FINISHED ENDS

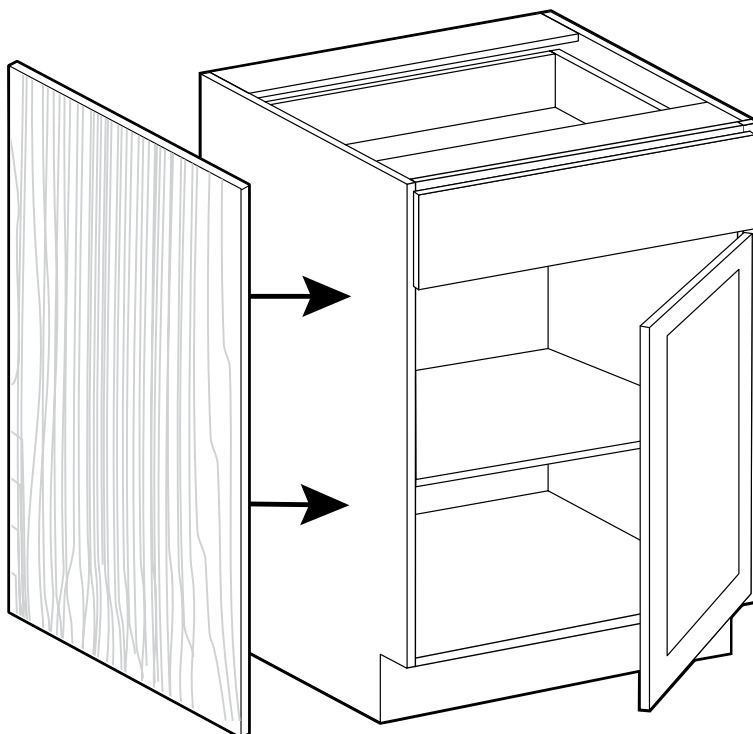


Available on standard cabinet types in depth increments and decrements.

CABINET TYPE	CUSTOM DEPTH
Wall Cabinets 12"	increase 3"- 6"- 9"-12"

CABINET TYPE	CUSTOM DEPTH
Base Cabinets 24"	decrease 3"- 6"- 9"-12"
Wall Cabinets 12" -24"	decrease 3"- 6"
Tall Cabinets 24"	decrease 3"- 6"- 9"-12"

Base cabinets with drawers that are customized from 15" to 24" deep will include working drawers.



Cabinets are manufactured with a natural finished plywood, white and maple TFL cases. Exposed sides (visible once installation is complete) require a matched with door/ drawer fronts end panel.

Specify Left Side, Right Side or Both.

Factory Finished Ends are available for all standard cabinets up to 96" long.